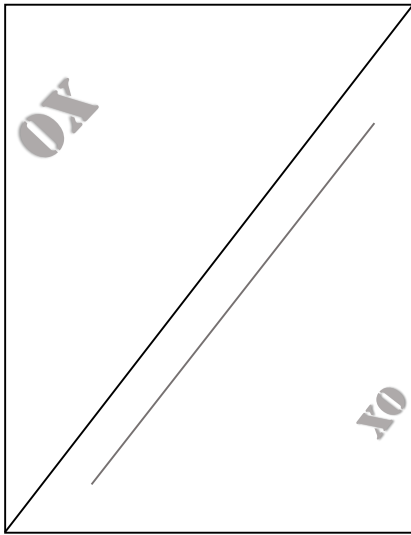
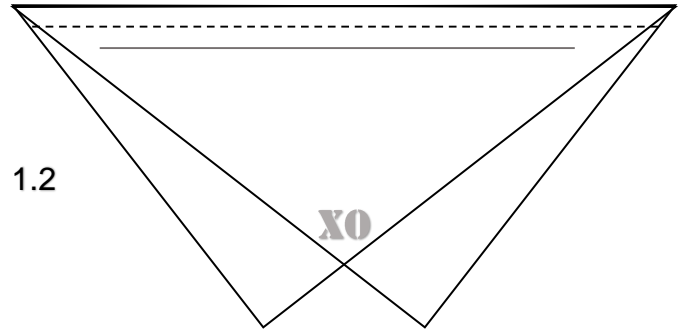


XO o-wing paper airplane instructions

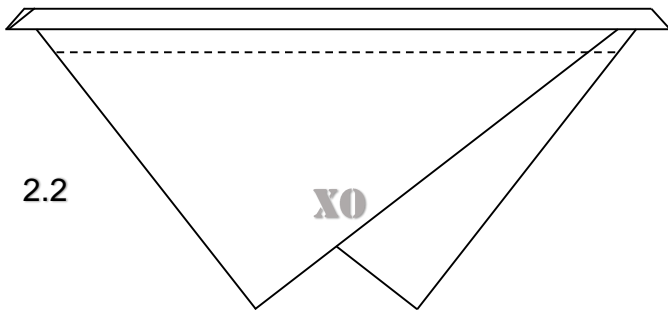
1.1



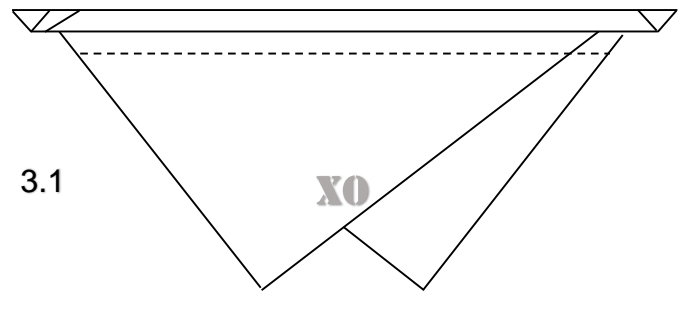
1. Fold diagonally
2. Fold over new folded edge to gray line
3. Repeat four times
4. Insert right tip inside left tip



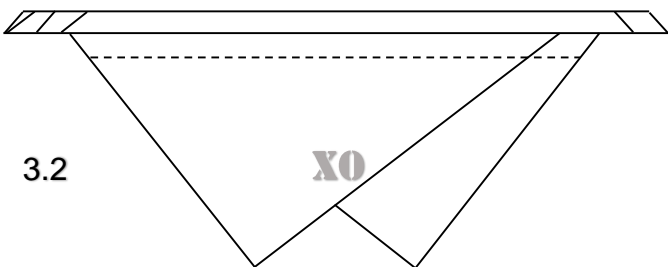
1.2



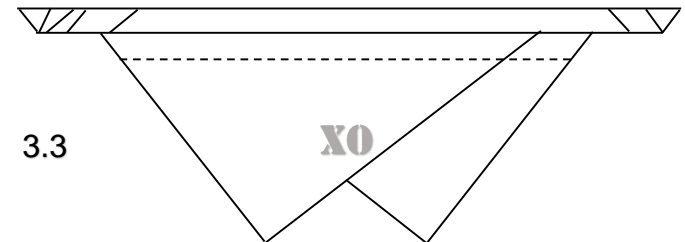
2.2



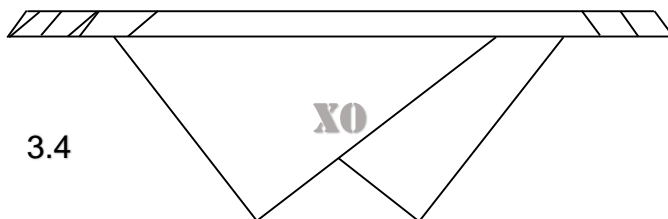
3.1



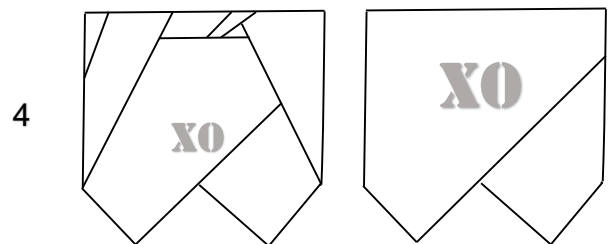
3.2



3.3



3.4



4

For templates and video instructions, visit xplanes4u.com

All Rights Reserved. Kevin Saunders, 2014